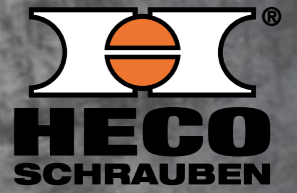




www.heco-schrauben.com

HECO-Schrauben GmbH & Co. KG
Dr.-Kurt-Steim-Straße 28, 78713 Schramberg, Germany
Phone +49 (0)7422/989-0, Fax +49 (0)7422/989-200

58821-04/2021 Subject to change.



MULTI-MONTI®-plus:
The original
for originals.

25
years of
MULTI-MONTI
SCREW
ANCHORS





**At the beginning
it's a good idea.
Then it's an original.**

25 years ago HECO introduced a revolutionary invention. And thus created an original which is indispensable in the working world: MULTI-MONTI®, the self-tapping screw anchor which works completely without dowels. The name is no coincidence; MULTI-MONTI® denotes a multifunctional mounting system with many benefits: low driving torques, expansion-free connections and the approval for cracked and uncracked concrete and masonry make MULTI-MONTI®-plus and a large range of different designs the ideal choice for practically every area of application. For the anniversary the original is in top form – available in stainless steel too ...

The MULTI-MONTI® success story

- 1994** Introduction of the MULTI-MONTI® screw anchor
- 1997** Winner of the Baden-Württemberg state innovation prize
- 1997** First individual approval for single fastening in Germany ever
- 2001** First ETA approval for a screw anchor
- 2005** First ETA-approved stainless steel concrete screw
- 2009** Introduction of the MULTI-MONTI®-TimberConnect
- 2015** First ETA approval for screws with a diameter of 20mm: MULTI-MONTI®-plus
- 2019** First approval for a screw anchor in masonry
- 2020** First product with type approval for fire safety in masonry
- 2021** MULTI-MONTI®-plus in stainless steel



MULTI-MONTI®-plus: No compromise. Regardless of whether it's concrete or masonry.

You make no compromises. And the MULTI-MONTI®-plus screw anchor doesn't either. Not when it comes to quality and not when it comes to the substrate on which you are working. Thanks to the approval for both cracked and uncracked concrete and masonry, you are always on the safe side with MULTI-MONTI®-plus. And, because HECO knows what makes your work easier, it's exactly that which was considered for development. MULTI-MONTI®-plus can really shine with numerous specific benefits when used in both materials.

MULTI-MONTI®-plus for concrete and masonry

■ **Hexagon head** with fixed washer and MMS+ head marking for easy identification of the anchor even after installation

■ **Largest approved range** for ETA option 1 from diameter 6 mm to 20 mm, including seismics from diameter 10 mm to 20 mm

■ **Fire safety**
Approved for fire exposure in masonry and with general construction technique permission

■ **Approved** for bricks, solid sand-lime brick, perforated sand-lime brick and lightweight concrete

■ **Ideal core/thread geometry** for easy driving and high load-bearing capacity

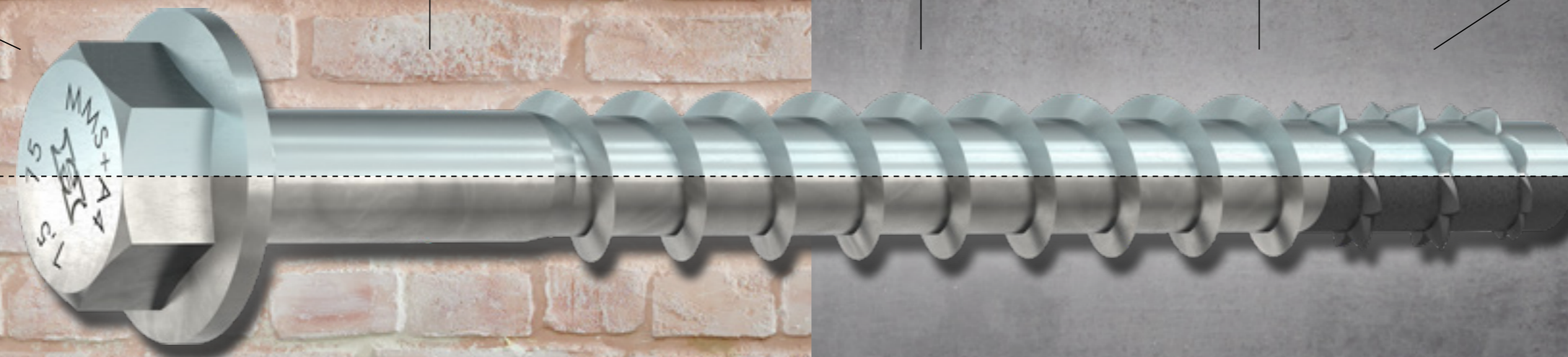
■ **MULTI-MONTI®-plus-thread** for the highest level of stress and economical constructions

■ **Easy to install** even with worn drill bits, installation without drill hole cleaning permitted

■ **Up to 3 embedment depths** for more flexibility, suitable for mechanical placement and can be fully loaded immediately

■ **Serrated functional tip** for wear reduction and multiple usage for temporary fastenings in concrete

■ **BlackCut functional tip**
Extra hard black phosphate on stainless steel version



carbon steel,
bright zinc plated

stainless steel A4



New: MULTI-MONTI®-plus in stainless steel. Made for the hardest conditions.

Sometimes steel is not good enough; in special environmental conditions, for example. That's why HECO also supplies the MULTI-MONTI®-plus screw anchors in stainless steel. Especially when it comes to applications outdoors in case of atmospheric influences that MULTI-MONTI®-plus in A4 stainless steel quality proves to be a reliable solution. The MULTI-MONTI®-plus is also available in HCR stainless steel for traffic infrastructure. In this field our innovative screw anchor has already been tried and tested in numerous tunnel projects.

Ideal core/thread geometry
enables easy driving and high
load-bearing capacities

BlackCut functional tip
Black because of phosphate,
serrated for perfect undercut
and secure anchoring



Hexagon head
with fixed washer and MMS+
head marking for easy
identification of the anchor
even after installation

MULTI-MONTI®-plus thread
For maximum loading and
economical constructions



MULTI-MONTI®-plus: Give dicey situations the cold shoulder.

In case of fire it is imperative that components, such as ventilation and smoke extraction systems, cable ducts, fire extinguishing systems, sprinkler systems, emergency lighting and fire detection systems, remain functional. That's where installation using MULTI-MONTI®-plus screw anchors makes an important contribution. As the first approved screw anchor for fire exposure in masonry (sand-lime block and brick), the MULTI-MONTI®-plus guarantees the highest level of safety, even in case of fire, when used in public facilities, such as hospitals, schools and shopping centres, and in private residential buildings.



MULTI-MONTI®-plus put to the test:
In order to comply with the strict approval requirements, our screws literally have to pass through fire.



MULTI-MONTI®-plus: Reliable is good. Approved is better.

Maybe the most important aspect of a construction project is reliability of planning. It's good to know that the MULTI-MONTI®-plus comes with the approvals for almost every situation. Moreover, it's also good to know that even originals and product classics at HECO are constantly examined, tested and optimised when it comes to product reliability and application performance.

With beneficial features, such as low driving torques, expansion-free connections, small centre and edge distances and approvals for numerous areas of application, the MULTI-MONTI®-plus screw anchors guarantee the highest level of reliability for practically all construction projects.

Approvals



- European Technical Assessment ETA-15/0784 Screw anchors for anchoring in cracked and uncracked concrete C20/25 to C50/60, size 6 to 20 mm



- European Technical Assessment ETA-15/0785 Dowels for use in concrete C20/25 to C50/60 and prestressed hollowcore concrete slabs C30/37 to C50/60 for redundant non-load-bearing systems, size 6 to 10 mm



- National technical approval Z-21.1-2103 Screw anchors MMS-plus for anchoring in masonry, size 6 to 12 mm



- General construction technique permission Z-21.8-2061 Screw anchors MMS-plus and MMS for multiple use for temporary fastenings in young concrete $\geq 10 \text{ N/mm}^2$ to $\geq 25 \text{ N/mm}^2$, size 10 to 20 mm



- National technical approval Z-21.1-1879 MULTI-MONTI baseplate anchors MMS-TC, size 7.5 to 12 mm



- Suitable for regions at risk from seismic activity (Seismic C1 from 10 to 20 mm and seismic C2 from 16 to 20 mm according to ETA-15/0784 option 1)



- **Approved for fire exposure in masonry**

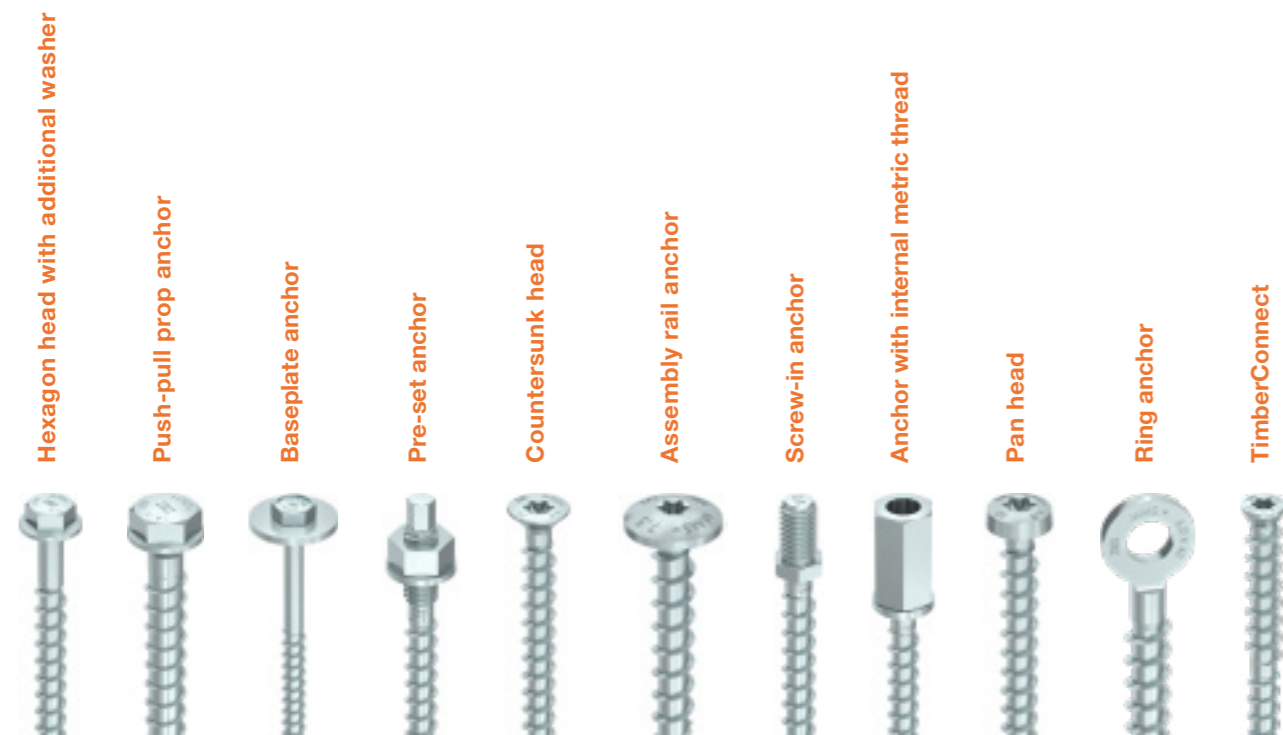
- Fire tested up to fire resistance class R120

- Fire tested according to RWS 180 for 7.5 mm diameter

- Complies with the requirements of VdS directive CEA 4001 relating to planning and installation of sprinkler systems

More multi than ever before: The MULTI-MONTI®-plus range.

MULTI-MONTI®-plus has the right screw for every requirement: Thanks to approvals for 6–20 mm diameters, the most comprehensive range of its type, the MULTI-MONTI®-plus range really covers every fastening requirement. You're sure to find the right length, the right diameter, the right head variant and the right material – for every project and every application.



Range overview

	MMS-plus SS hexagon head with combined washer carbon steel bright zinc plated Lengths (mm): 35 to 160, Diameters (mm): 6,0 / 7,5 / 10,0 / 12,0 / 14,0 Version MMS-plus SS heavy-duty anchor Lengths (mm): 120 to 200, Diameters (mm): 16,0 / 20,0	
	MMS-plus SSK hexagon head with combined washer and cone carbon steel bright zinc plated Lengths (mm): 90 and 130, Diameter (mm): 16,0	
	MMS-plus S heavy-duty anchor, hexagon head carbon steel bright zinc plated Length (mm): 80, Diameter (mm): 16,0	
	MMS-plus SS hexagon head with combined washer carbon steel HP-coated Lengths (mm): 50 to 120, Diameters (mm): 6,0 / 7,5 / 10,0 / 12,0	
	MMS-plus S hexagon head with washer DIN 440 carbon steel bright zinc plated Lengths (mm): 180 to 320, Diameter (mm): 12,0	
	MMS-plus V pre-set anchor with metric stud carbon steel bright zinc plated Lengths (mm): 80 to 140, Diameters (mm): 7,5 / 10,0 / 12,0 Version MMS-plus V heavy-duty anchor Lengths (mm): 150 to 220, Diameters (mm): 16,0 / 20,0	
	MMS-plus F countersunk head, carbon steel bright zinc plated T-Drive, Lengths (mm): 30 to 160 Diameters (mm): 5,0 / 6,0 / 7,5 / 10,0 / 12,0	
	MMS-plus MS assembly rail anchor with flange head carbon steel bright zinc plated T-Drive, Lengths (mm): 35 to 60, Diameter (mm): 7,5	
	MMS-plus ST anchor with metric stud with metric stud carbon steel bright zinc plated Lengths (mm): 55 to 120, Diameters (mm): 6,0 / 7,5 / 10,0	
	MMS-plus I screw in anchor with internal metric thread carbon steel bright zinc plated Lengths (mm): 40 to 75, Diameters (mm): 6,0 / 7,5 / 10,0	
	MMS-plus P pan head carbon steel bright zinc plated T-Drive, Lengths (mm): 25 to 70, Diameters (mm): 5,0 / 6,0 / 7,5 / 10,0	
	MMS-plus KS reduced countersunk head carbon steel bright zinc plated T-Drive, Length (mm): 40, Diameter (mm): 5,0	
	MMS-plus R eye-bolt-anchor carbon steel bright zinc plated Length (mm): 40, Diameter (mm): 6,0	
	MMS-TC TimberConnect carbon steel bright zinc plated T-Drive, Lengths (mm): 100 to 160, Diameters (mm): 7,5 / 10,0 / 12,0	

	MMS-plus SS hexagon head with combined washer stainless steel A4 1.4401, self-colour, tip phosphated Lengths (mm): 40 to 135, Diameters (mm): 7,5 / 10,0 / 12,0	
	MMS-plus F countersunk head stainless steel A4 1.4401, self-colour, tip phosphated T-Drive, Lengths (mm): 40 to 130, Diameters (mm): 7,5 / 10,0 / 12,0	
	MMS-plus P pan head stainless steel A4 1.4401, self-colour, tip phosphated T-Drive, Lengths (mm): 40 to 115, Diameter (mm): 7,5	

Product code

Type	d	L
MMS-plus SS	12	100
Productfamily screw anchor MMS-plus (MULTI-MONTI®-plus)	Length of the fastener	
	Diameter External thread of screw anchor	
Head form	ST	R
SS = hexagon head with combined washer	I = anchor with metric stud for mounting with nuts	KS = anchor with metric stud
SSK = push-pull prop anchor	V = anchor with metric stud and washer	MS = assembly rail anchor
F = countersunk head		S = hexagon head with washer DIN 440
P = pan head		TC = TimberConnect

Accessoires

HECO®-gauges for checking reusability of MULTI-MONTI®-plus

Anchor size	Gauges diameter [mm]	Gauges length [mm]	Article No.
MMS-plus 10	9,5	24	47792
MMS-plus 12	11,5	32	47793
MMS-plus 16	15,5	36	47794
MMS-plus 20	19,5	58	47795

Installation tools for MULTI-MONTI®-TimberConnect Screw-in-anchors

MMS-TC installation tool T-30 Usable for MMS-TC 7,5 with T-Drive bit – Article No.: 43603	MMS-TC installation tool T-45 Usable for MMS-TC 10 with ½"-socket wrench drive – Article No.: 47095	MMS-TC installation tool T-50 Usable for MMS-TC 12 with ½"-socket wrench drive – Article No.: 43605



**MULTI-MONTI®-plus:
Available
for anything.**

The name says it all: MULTI-MONTI®-plus, the multifunctional mounting system, is full of options for practically any type of application. Whether it's in plant construction or building services, for fastening fences or balcony railings, work near to edges or work without torque wrench, whether indoors or outdoors, even when it comes to maintaining functionality in case of fire: the MULTI-MONTI®-plus screw anchors guarantee simple, flawless and reliable assembly. Any time and anywhere.



Bicycle stands



Façades



Railing



Cable channels



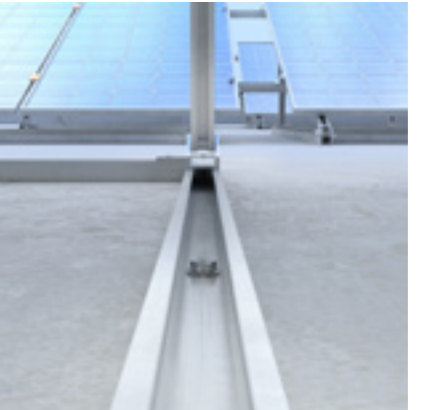
Chimney supports



Awnings



Post holders



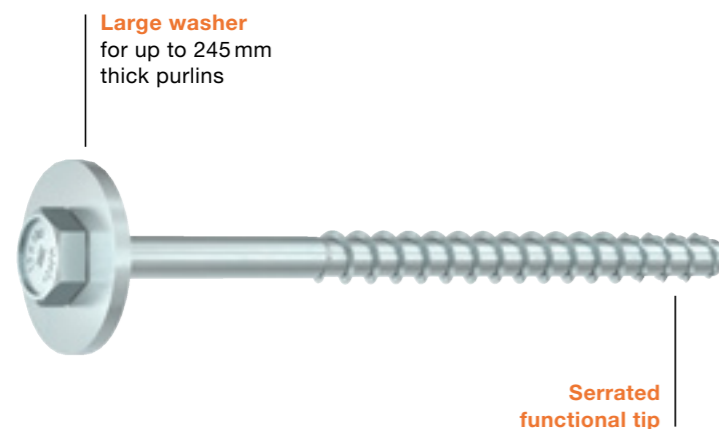
Solar energy systems



Stadium seating

Exclusively from HECO: Specialists for every fastening task.

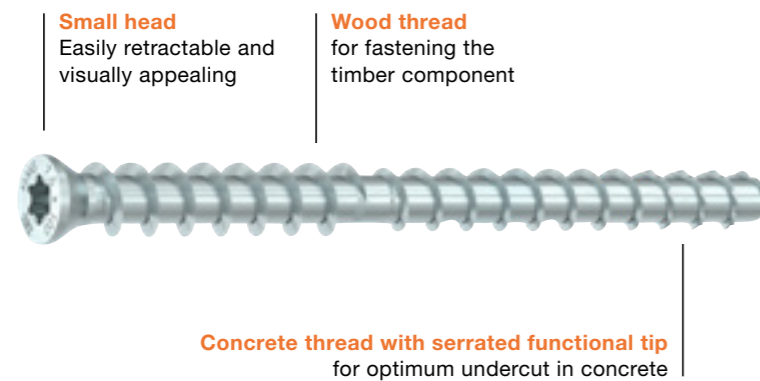
MMS-plus S for the installation of baseplates and purlins



MMS-plus S

- Easy installation with a tangential impact wrench
- Installation without a defined installation torque
- Wood construction washer Ø 44 mm (DIN 440 washer) included
- For timber components up to 245 mm thick

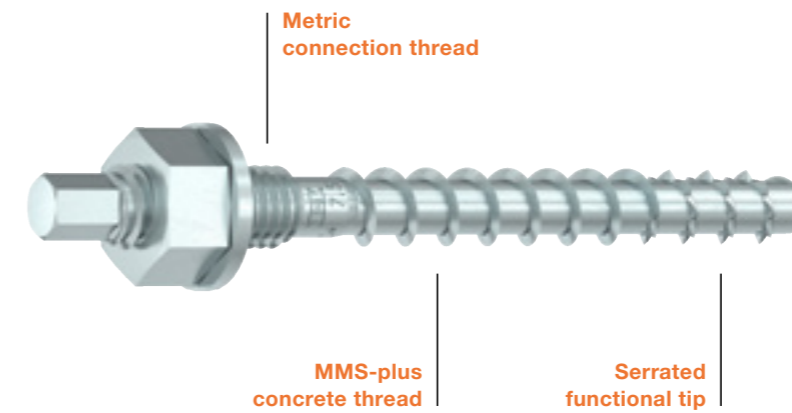
MMS-TC TimberConnect for anchoring wood to concrete



MMS-TC TimberConnect

- Concrete and wood thread in one
- For the transmission of high lateral forces
- Invisible fastening – can be sunk into the wood
- For attachment thicknesses of 30–300 mm
- Concrete and wood drilled in one working process with the impact drill
- Approved by the construction authority for assembly of wood components on concrete Z-21.1-1879

MMS-plus V for pre-setting

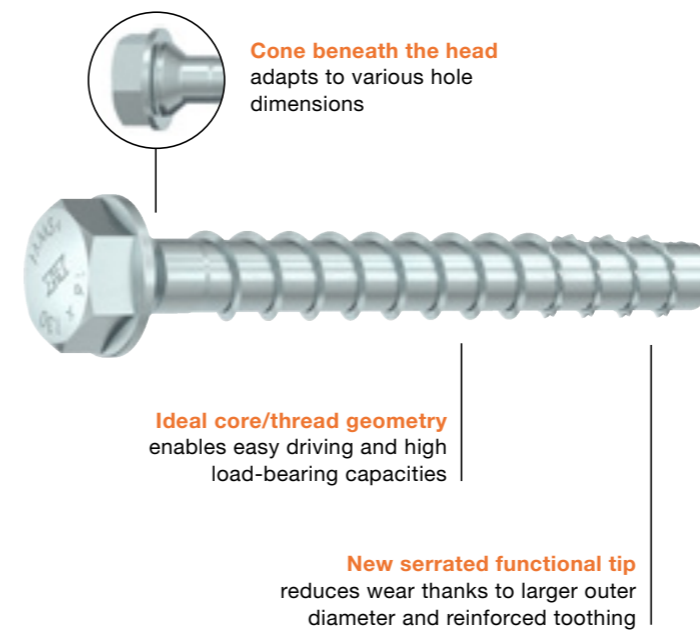


MMS-plus V

Pre-set anchor with metric connection thread 7.5–20 mm diameter, for fastening solutions for pre-setting.

- Facilitates adjustable distance installations with fully clamped attached component
- Offsetting of uneven surfaces or gradients with fully clamped attached component
- Implementation of economical calculations, e.g. railing fastenings
- Option of subsequent fastening of attached components using hexagon nuts
- Attached part can be unfastened multiple times

MMS-plus SSK for push-pull prop installation



MMS-plus SSK

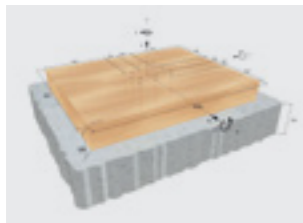
Temporary fastening of construction site facilities, e.g. props, angled props, guardrails, scaffolding.

- Suitable for removal and reuse using gauge
- Hole diameters of 17–23 mm in the baseplate can be covered with a screw
- Can be placed mechanically, no defined tightening torque required
- No expansion pressure
- Reliable use, hidden assembly faults not possible
- Approved for use in young concrete from a concrete strength of $f_{c,cube} \geq 10 \text{ N/mm}^2$

You work on site. We help online.

We know that your job demands a lot from you. That's why we offer you a helping hand wherever possible. The HECO Calculation Software (HCS), which we have developed ourselves, provides planners, structural engineers and tradespeople not only with calculation for wooden construction applications but also the option of interactively calculating anchor requirements for screw anchors in concrete. Simply download it free of charge. Alternatively you can also have us make your screw calculations. Our Application Technology department will be happy to help you with any application questions or when it comes to using the HCS.

You will find all other necessary information online, at www.heco-schrauben.com and BIM-compatible CAD files at www.cadenas.de. The QR code on HECO packaging takes you directly to approvals, declarations of performance etc.



HECO-Calculation-Software (HCS)

- Professional calculation software for planners, structural engineers and tradespeople
- Verification procedure according to the European Technical Assessment (ETA)
- Verifications under static and quasi-static loads
- Calculation under fire exposure and seismic loads
- Regular automatic software updates
- User-friendly, interactive operation for the calculation of dowels, railings etc.
- Quick and easy operation and data input
- The program is based on the latest standards and codes of practice

📄 www.heco-schrauben.com/hcs



The entire world of HECO

HECO product range including accessories:
heco-schrauben.com

Online product catalogue:
catalog.heco-schrauben.com

Brochures, approvals, technical data, installation videos:
youtube.com/c/heco-schrauben

This way to
the online
catalogue...



... and this
way to the
download
centre

